

TRIP CIRCUIT SUPERVISION RELAY TSG 913

JUCKER - RELAY

Function

The type TSG 913 relay supervises the trip circuit of circuit breaker and it activates delayed alarm and visual indication in the event of trip circuit failure or mechanism malfunction.

This relay is expressly designed to be used where parallel to the circuit breaker additional load circuits are being used. The total resistance of the load circuit cannot be below 1'000 Ohm under any condition.

Detected failures

After a delay of 2 to 5 sec., the relay activates an alarm and visual indication in the event of the following failures:

- trip voltage failure
- trip coil interruption
- trip circuit wiring interruption
- circuit breaker malfunction

After a delay of about 0,3 sec., it activates alarm without optical indication in the event of:

- failure of alarm voltage

Technical specifications

Trip supply voltage 110 V = ± 20%
 220 V = ± 20%

Operating power at 132 V = 1,8 Watt
 264 V = 3,6 Watt

min. permissible parallel load (KP + BFR) > 1000 Ohm

Alarm circuit

Alarm voltage 110 V = ± 20%
 220 V = ± 20%

Power input at 132 V = 0,9 Watt
 264 V = 1,8 Watt

Alarm delay 2 - 5 sec
 visual indicator LED red

Alarm Relay K2

contacts 2 NC
 contact material Ag gold plated
 contact load 3 Amp 250 VAC
 fuse 100 mA fast

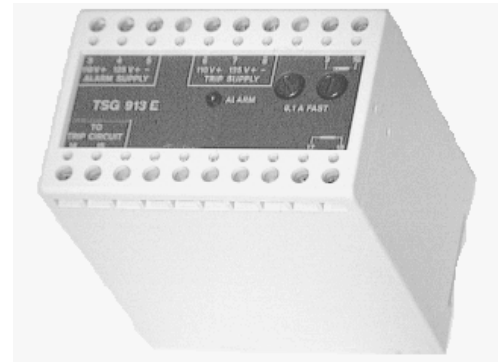
General specifications

Ambient temperature range -10 ÷ +55°C
 weight 260 gr

Dielectric strength between terminals:

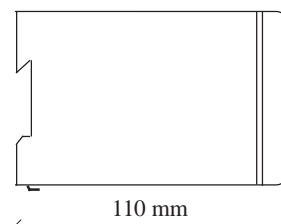
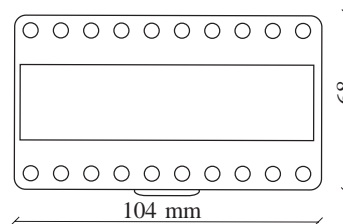
6/7/8/14/15	and 3/4/5	} 2500V RMS / 1 Min
„	and 17/18	
„	and 9/10	
3/4/5	and 9/10	
9/10	and 17/18	

Examination IEC 255,4

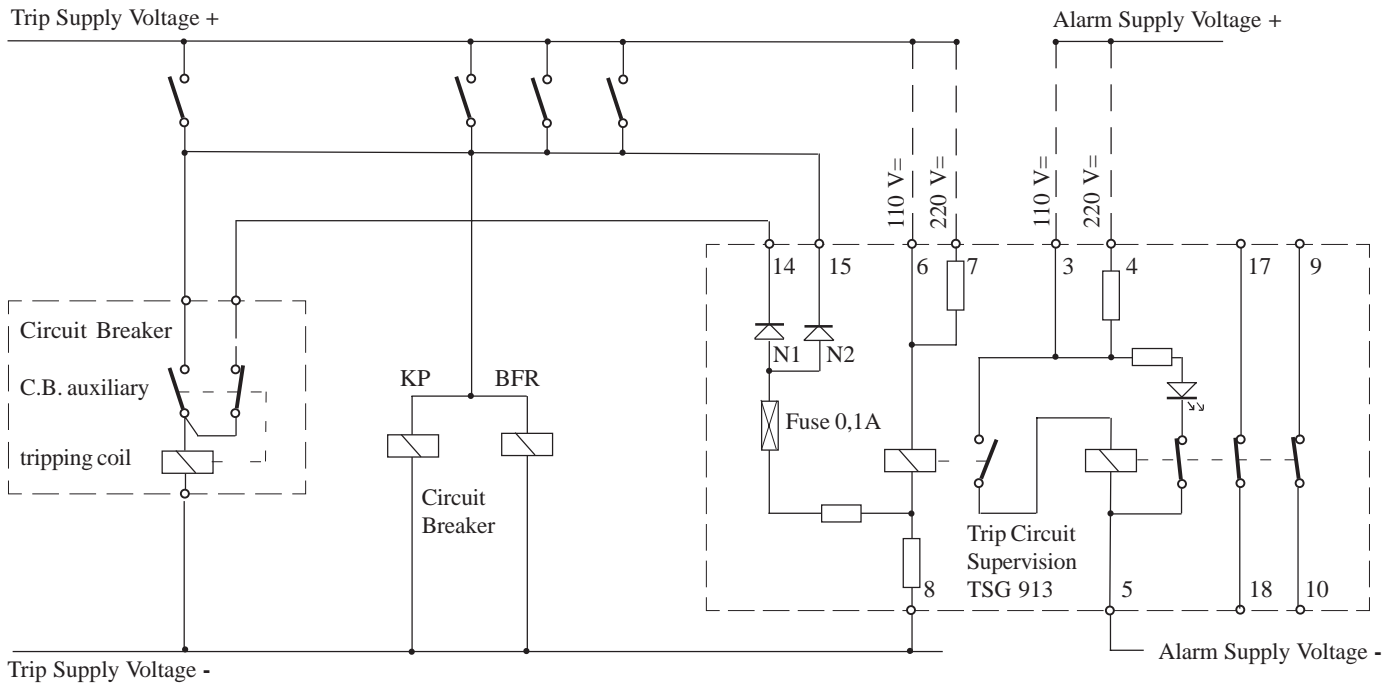


Mounting	Snap-on mounting rail, 35 mm wide according to DIN 46277/3
Terminals	2 x 1,5 mm ² with wire seal
Housing material	Polycarbonat grey for temperature up to 85°C, VDE 0304 part 3/5.70 step IIb
Insulation	Creeping and air gap VDE 110 Class C 660 VE / 450 VG
Protection class	IP 40 for housing IP 10 for terminals

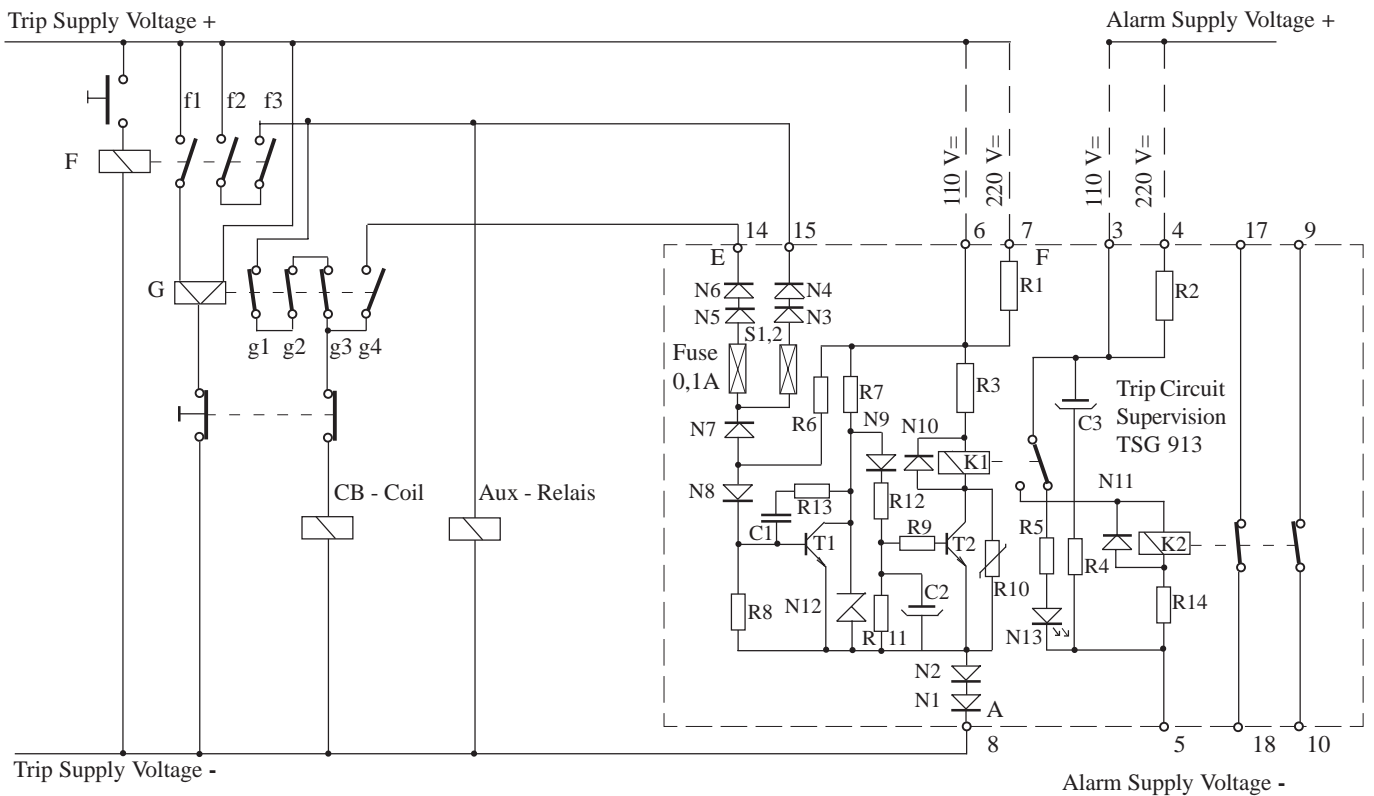
Housing dimension for TSG 913



Wiring diagram for Trip Circuit Supervision TSG 913



Schema TSG 913



Housing of TSG 913 15.000.2805

